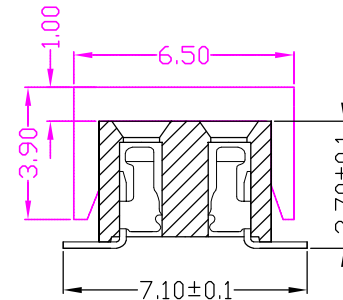
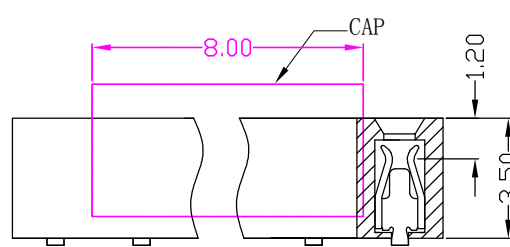
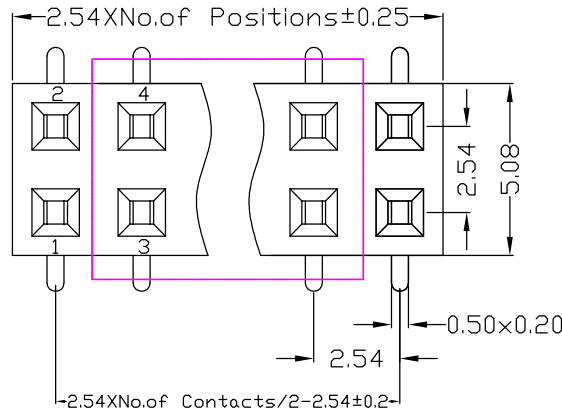
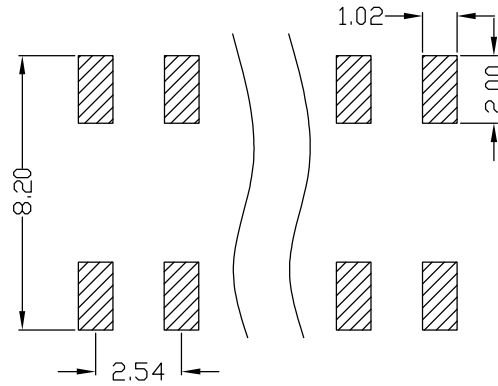


Specifications

Remark
 1. MATERIAL:
 Housing: LCP+30% G.F. UL94V-0, Color: Black
 Contact: Phosphor Bronze, GOLD ON
 CONTACT AREA, 2um (80u") MIN MATTE TIN
 ON TAIL, OVER 1,27um (50u") MIN NICKEL

2. CHARACTERISTICS:
 Current Rating: 3A at 80°C
 Contact Resistance: 20 mΩ MAX
 Insulating Resistance: 1000 mΩ MAX
 Withstanding Voltage: AC 500V
 Temperature Range: -55°C to +125°C
 All materials meet the RoHS
 Meet requirements on IPC/JEDEC J-STD-020C

SMT Coplanarity: 0,10mm (.004") MAX



Ordering Information

F136A-12 XX C4 D MU B 1

NO. OF PINS PER ROW 2-40P	Contact Full of Gold	Plating Semi-gold	INSULATOR MATERIAL:	PACKING
A0=0.8u"	B0=0.8u"	B: PA6T	A: PE Bag	
A1=1u"	B1=1u"	C: PA9T	B: Tape & Reel	
A2=1.5u"	B2=1.5u"	D: LCP	C: Tube	
A3=2u"	B3=2u"		D: Tube+CAP	
A4=3u"	B4=3u"		E: Tray	
A5=5u"	B5=5u"			
A6=10u"	B6=10u"			
A7=15u"	B7=15u"			
A8=20u"	B8=20u"			
A9=30u"	B9=30u"			
S1=Ordinary Tin Plated				
S2=Matte Tin Plated				
S3=Tin plated High-temperature				
C4=0.076um (3um) GOLD on Contact Area, 2um (80um) Min Matte Tin on Tail Over 1,27um (50um) Min Nickel				

				OPERATION		SCALE		Fit		SamyTronic			
				X.X	±0.25	UNIT		MM					
				X.XX	±0.20	SIZE	A4	DESIGN		PART NO	F136A-12XXC4DMUB1		
				X.XXX	±0.10	SHEET	1/1	CHECK		TITLE:	FH2,54mm H3,5 2*XXP LCP SMT CAP		
REV	DATE	SYMBOL	MODIFICATION DESCRIPTION		Angle	±3°	PROJ.	APPROVE		Customer NO			
DIM	TOL												