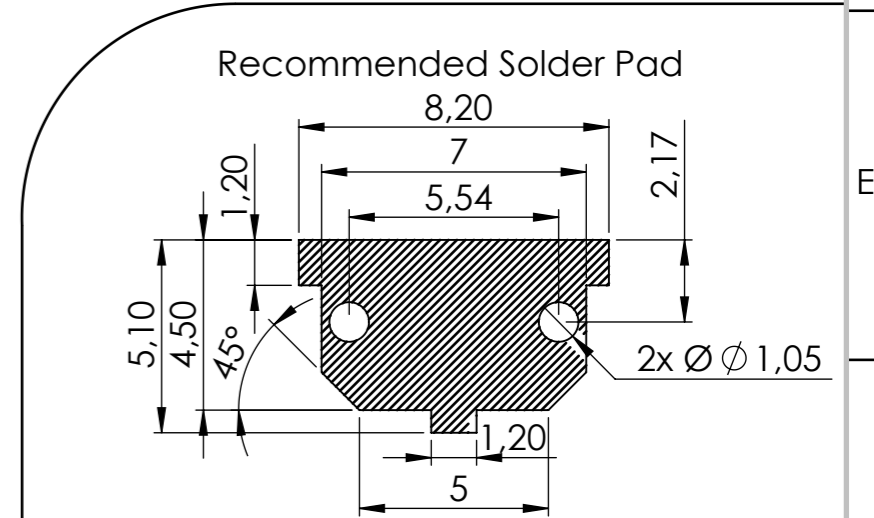
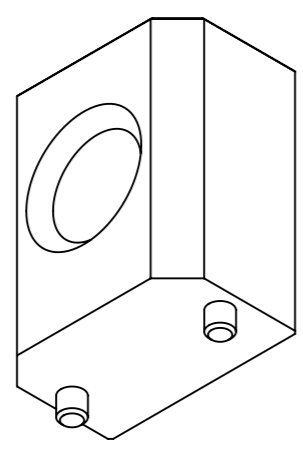
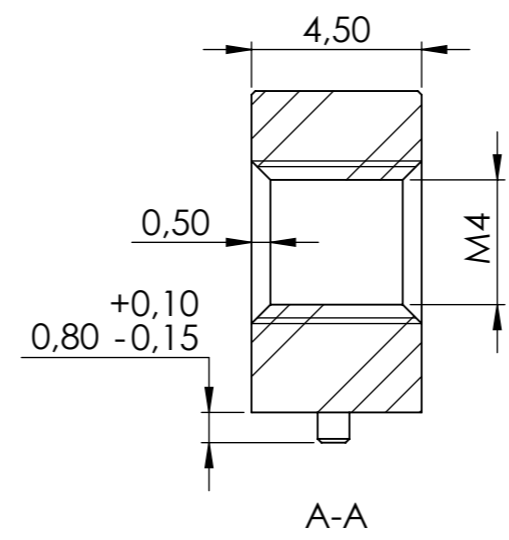
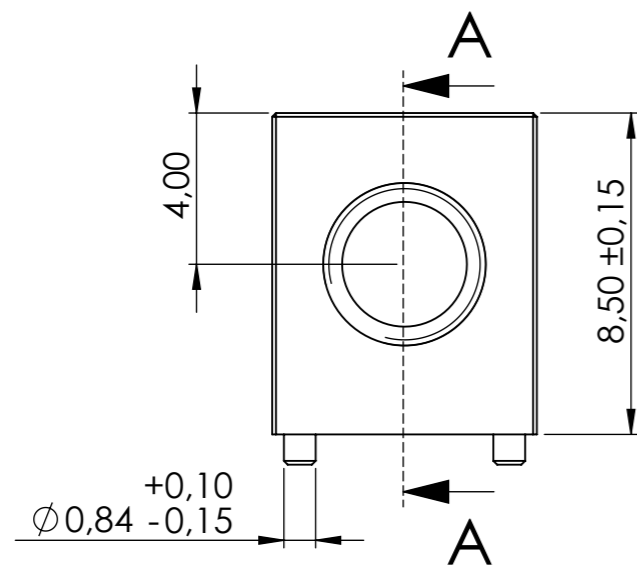
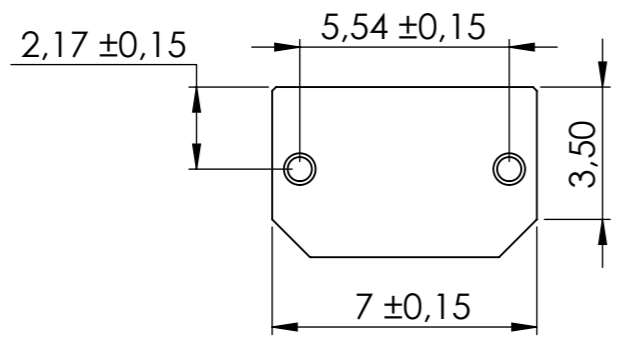
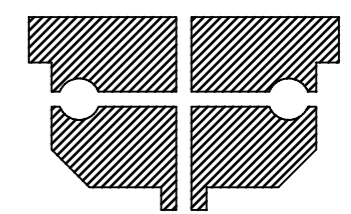


Copyright reserved to ISO 16016
 The property and copyright of this drawing remains the company Samytronic GmbH. It is entrusted to you as the recipient for personal use only. Without a written permission from Samytronic GmbH this may not be copied and reproduced, or sent and made accessible to third parties, especially competitors. Doing so is obliged to pay compensation.



If as a current-carrying element, then not plated.
 If used as a mechanical element, then plated for better mechanical support.

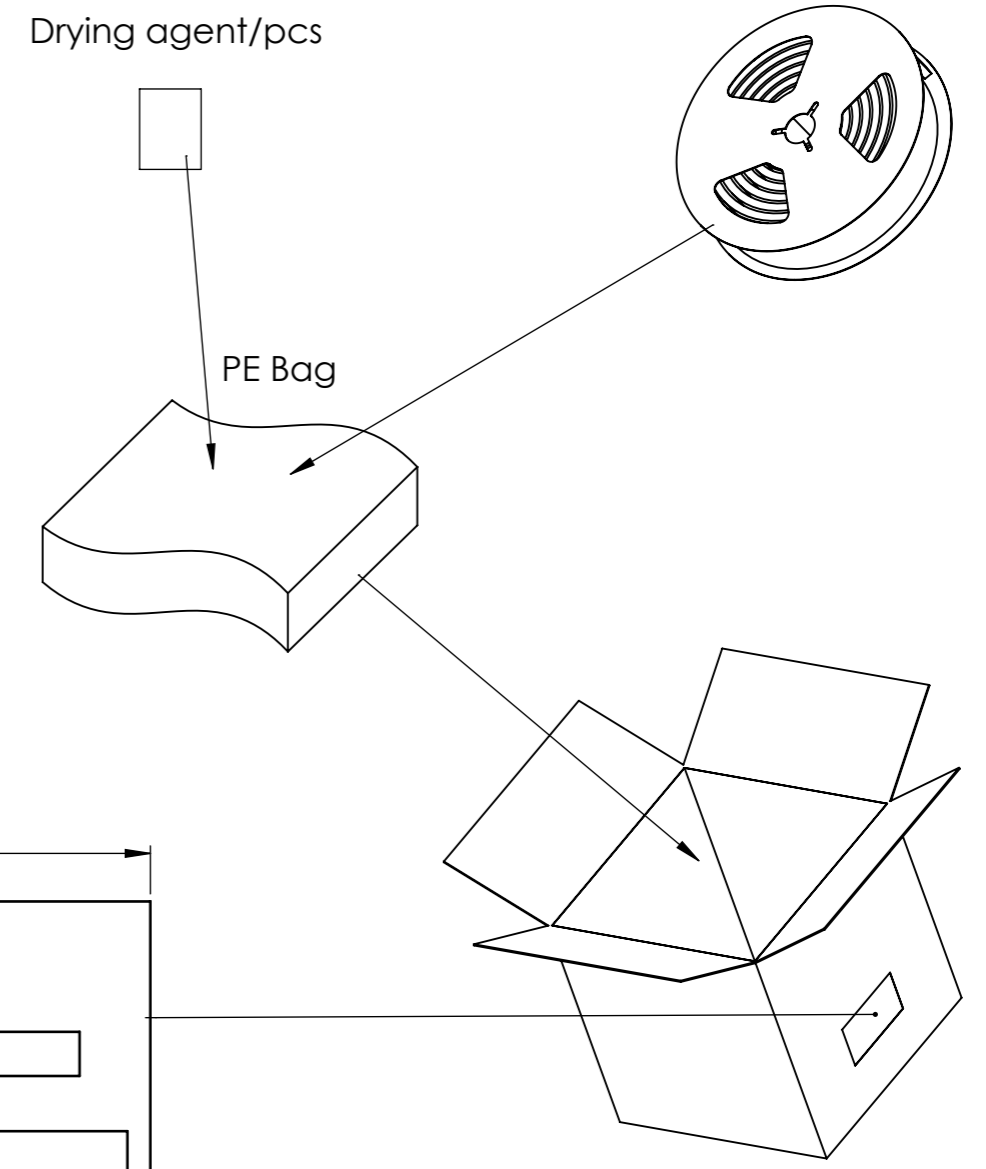
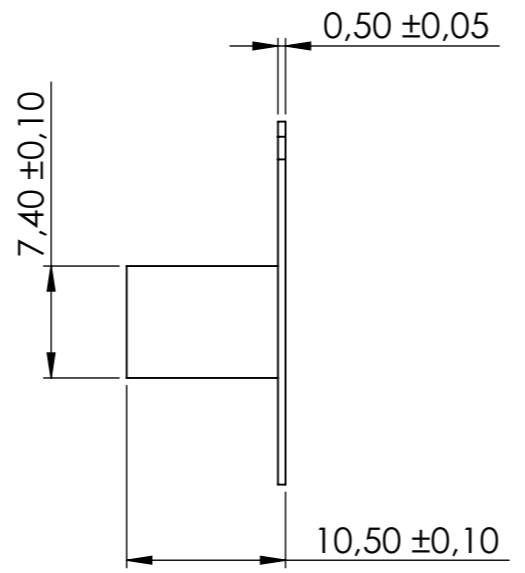
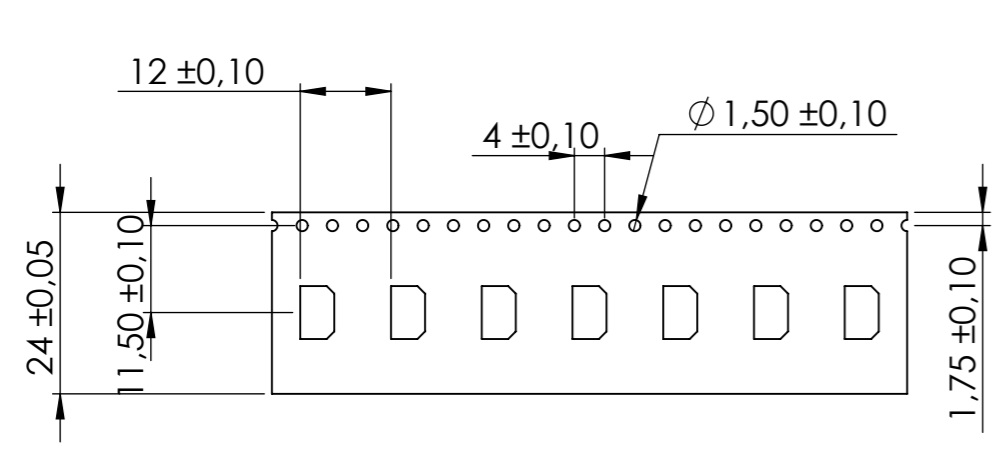
Recommended Stencil Masks:



						Order Code: SMTGTRA4085MTJ	
						Description: SMT Terminal right angled M4 B7xT4.5xH8.5 with pins	
00	Created Part	19.Jun.23	K.M.	19.Jun.23	S.R.		
Rev:	Description of change	Date Created:	Name:	Date checked:	Name:	General Tolerances:	Partnumber:
RoHS compliant REACH compliant						X.±0.30 X.°±5° X.X±0.2 .X.°±2° X.XX±0.15 .XX°±1° X.XXX±0.10 .XXX°±0.5°	06451
Material: Steel						Samytronic GmbH Flensburger Str. 26 33605 Bielefeld Germany	
Surface: Tin						MS-Level: 1	info@samytronic.de www.samytronic.de
Weight:	1.70	g	Area:	mm ²	Sheet size: A3	Unit: mm	Scale: 5:1
						Projection	Sheet: 1 OF 3

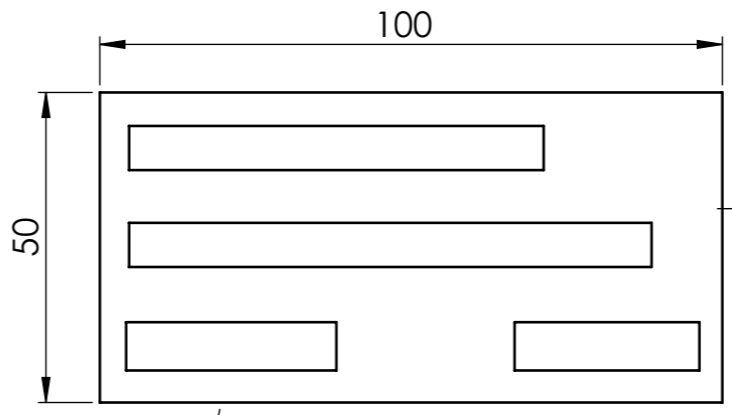
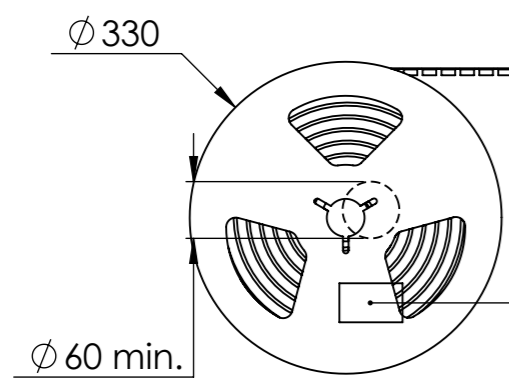
Copyright reserved to ISO 16016
 The property and copyright of this drawing remains the company Samytronic GmbH. It is entrusted to you as the recipient for personal use only. Without a written permission from Samytronic GmbH this may not be copied and reproduced, or sent and made accessible to third parties, especially competitors. Doing so is obliged to pay compensation.

	8	7	6	5	4	3	2	1						
	W	T	T2	K0	P0	P1	D0	E1	E2	F	Tape Name	VPE/packaging unit	Number of Reels	Box dimensions
tolerance												pcs.	pcs.	cm
size											Polystyrene	500		



Peeling direction of face tape →

Peeling force: 0,3 - 1,2 N
 165° - 175°



LABEL

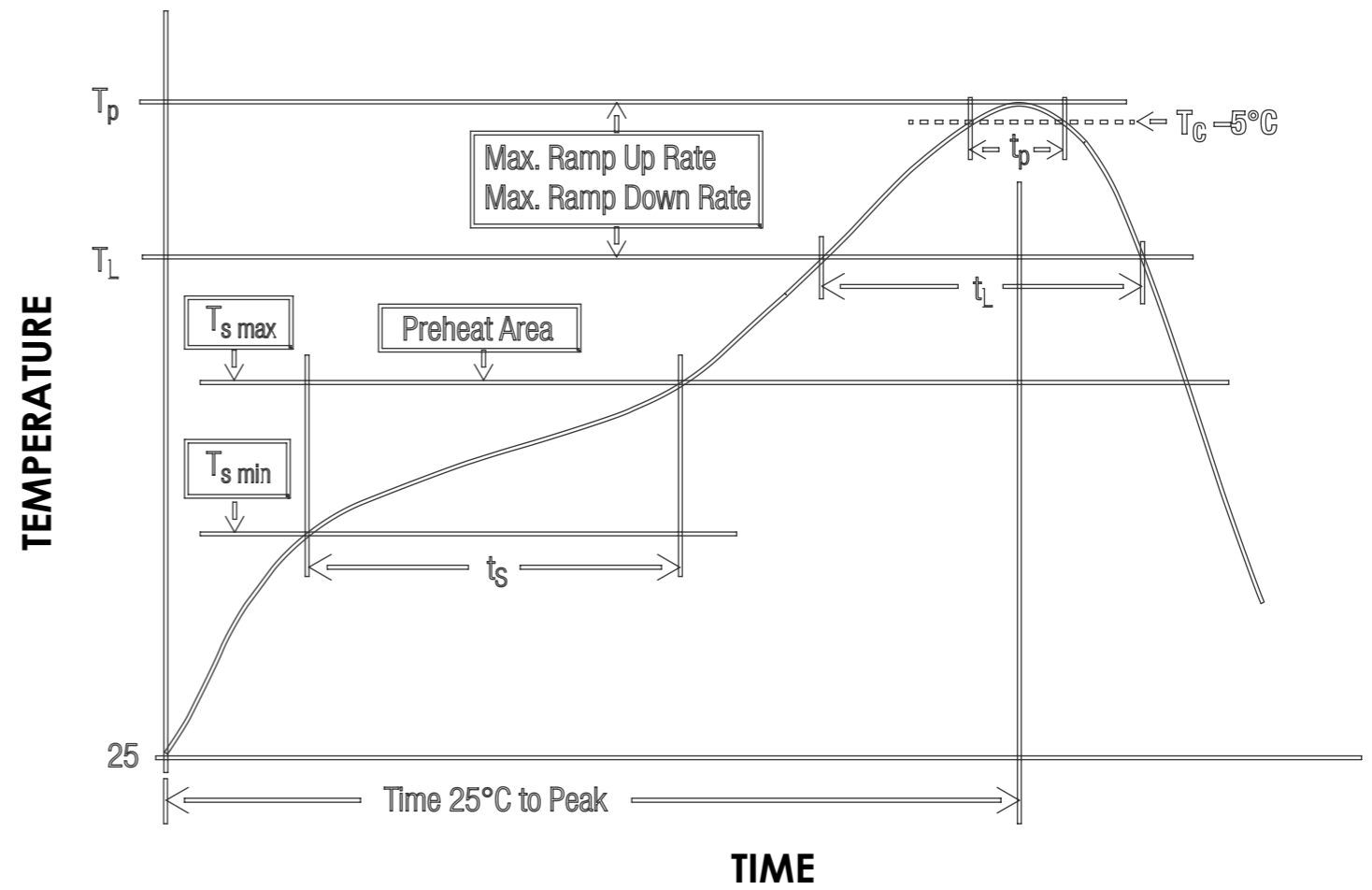
						Order Code:	
						Description:	
						Tape/Reel & Packaging	
00	Created Part	19.Jun.23	K.M.	19.Jun.23	S.R.		
Rev:	Description of change	Date Created:	Name:	Date checked:	Name:	General Tolerances:	Partnumber:
RoHS compliant REACH compliant						X.±0.30 X.°±5° X.X±0.2 .X°±2° X.XX±0.15 .XX°±1° X.XXX±0.10 .XXX°±0.5°	
Material:						 info@samytronic.de www.samytronic.de	
Surface:						MS-Level: info@samytronic.de www.samytronic.de	
Weight: g		Area: mm²		Sheet size: A3	Unit: mm	Scale: 3:1	Projection
						Sheet: 2 OF 3	

CLASSIFICATION REFLOW PROFILE

Classification Reflow Soldering Profile:

Profile Feature	Value
Preheat Temperature Min (T_{smin}) ¹⁾	150 °C
Preheat Temperature Max (T_{smax})	200 °C
Preheat Time (t_s) from (T_{smin} to T_{smax})	60 - 120 seconds
Ramp-up rate (T_L to T_P)	3 °C/ second max.
Liquidous temperature (T_L)	217 °C
Time (t_L) maintained above T_L	60 - 150 seconds
Peak package body temperature (T_P)	$T_P \leq T_C$, see table below
Time (t_p)* within 5 °C of actual peak temperature	20 - 30 seconds
Ramp-down rate (T_P to T_L)	6 °C / second max.
Time 25 °C to peak temperature	8 minutes max.

1) refer to IPC/JEDEC J-STD-020E



Package Classification Reflow Temperature (T_C):

Properties	Volume mm ³ < 350	Volume mm ³ 350 - 2000	Volume mm ³ >2000
PB-Free Assembly Package Thickness < 1.6 mm ¹⁾	260 °C	260 °C	260 °C
PB-Free Assembly Package Thickness 1.6 mm - 2.5 mm	260 °C	250 °C	245 °C
PB-Free Assembly Package Thickness ≥ 2.5 mm	250 °C	245 °C	245 °C

1) refer to IPC/JEDEC J-STD-020E

					Order Code:	
					Description:	
					Classification Profile	
Rev:	Description of change	Date Created:	Name:	Date checked:	Name:	General Tolerances:
						X.±0.30 X.°±5° X.X±0.2 .X°±2° X.XX±0.15 .XX°±1° X.XXX±0.10 .XXX°±0.5°
RoHS compliant REACH compliant					Partnumber:	
Material:						
Surface:					MS-Level: info@samytronic.de www.samytronic.de	
Weight: g Area: mm ² Sheet size: A3 Unit: mm Scale: 3:1 Projection					Sheet: 3 OF 3	

Copyright reserved to ISO 16016. The property and copyright of this drawing remains the company Samytronic GmbH. It is entrusted to you as the recipient for personal use only. Without a written permission from Samytronic GmbH this may not be copied and reproduced, or sent and made accessible to third parties, especially competitors. Doing so is obliged to pay compensation.