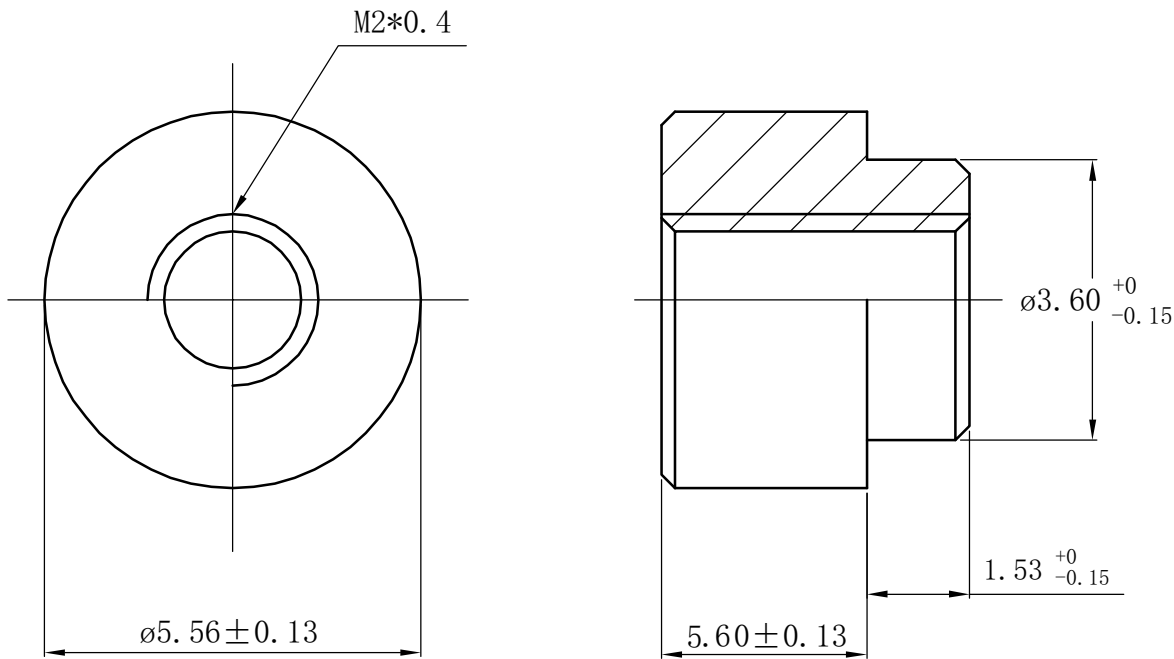

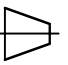


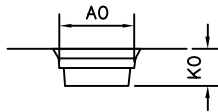
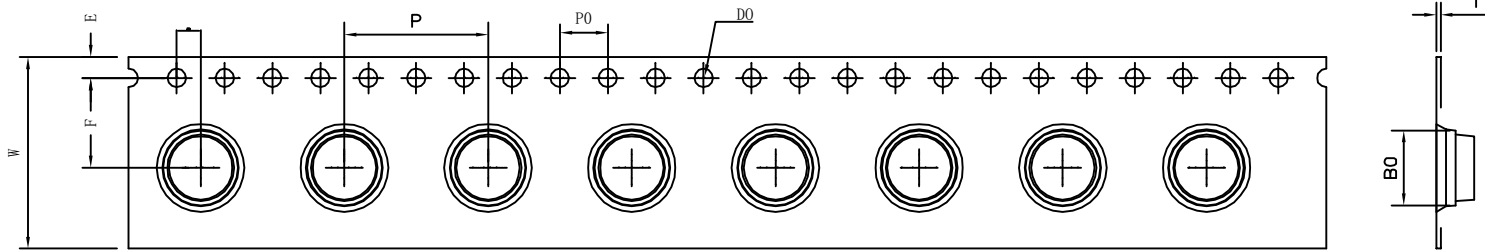
RoHS
Compliant

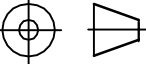


REVISION RECORD				SCOPE				  SamyTronic				
DATE	NEW REVISION	REVISION PERSON	REVISION DETAILED	X.	±0.20	X'	±4'	Unit: mm	Custom Confirm:	DATE:	PART NUMBER: SMTML2056MTJ	REVISION
/	/	/	/	.XX	±0.05	.XX'	±1'	Material: Steel 1215 Brass C3604	APPD:	DATE: 2017/05/26	DESCRIPTION: M2*5.56*L5.6+1.53	A
				Package Type: Reel package				Finish: Tin	DRAMN:	DATE: 2017/05/26	PART NUMBER: /	REVISION
				Quantity/reel: 700pcs/reel					BASED ON: PEMSMTSO		DESCRIPTION: /	A
									STANDARD REFER: CUSTOM DWG		SCALE: /	SHEEER: 1 OF 1

	1	2		3		4		5		6		
ITRM	W	A0	B0	K0	K1	P	F	E	DO	P0	P2	T
DIM	16.00	5.90	5.90	7.80	--	12.00	7.50	1.75	1.50	4.00	2.00	0.40
TOLE	±0.05	±0.15	±0.10	±0.10	±0.10	±0.10	±0.10	±0.10	±0.10	±0.10	±0.15	±0.05

RoHS
Compliant



REVISION RECORD				SCOPE				 SamyTronic				
DATE	NEW REVISION	REVISION PERSON	REVISION DETAILED	X.	±0.20	X.*	±4'					UNIT: mm
/	/	/	/	.XX	±0.10	.X*	±2'	MATERIAL:	APPD:	Date: 2017/03/23	Description: T0.4*16	A
					.XX	±0.05	±1'	PS/BLACK	DRAWN:	Date: 2017/03/23	/	revision
				Product type:				Resistanse:	/ BASED ON PEMSMTSO:		/	/
				SMTML-M2/M2.5/M3 -(5.2/6.0)				ESD	STANDARD REFER: CUSTOM DRAWING		SCALE: /	1 OF 1
				Quantity: 700pcs/reel								