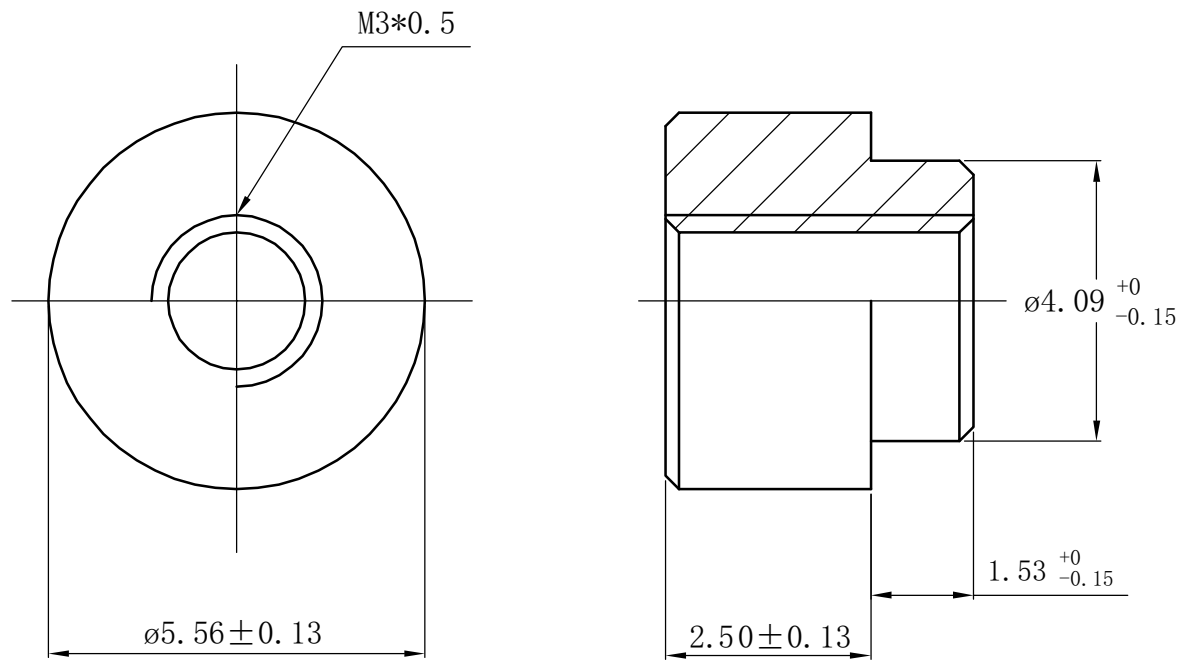

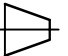


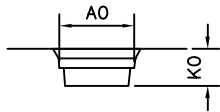
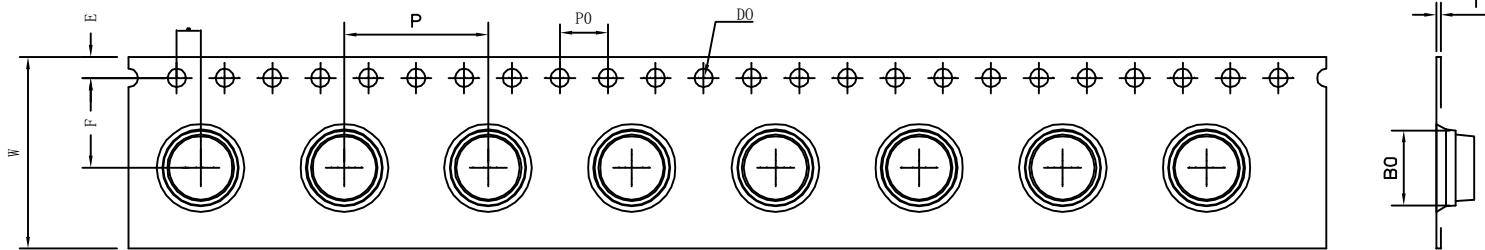
RoHS
Compliant



REVISION RECORD				SCOPE				  SamyTronic					
DATE	NEW REVISION	REVISION PERSON	REVISION DETAILED	X.	±0.20	X'	±4'	Unit: mm	Custom Confirm:	DATE:	PART NUMBER: SMTML3025MTJ	REVISION	
/	/	/	/	.X	±0.10	.X'	±2'	Material:	APPD:	DATE: 2017/05/26	DESCRIPTION: M3*5.56*L2.5+1.53	A	
				.XX	±0.05	.XX'	±1'	Steel 1215 Brass C3604	DRAMN:	DATE: 2017/05/26	PART NUMBER: /	REVISION	
								Package Type:	BASED ON: PEMSMTSO			A	
								Reel package	Finish:	STANDARD REFER: CUSTOM DWG			
								Quantity/reel: 1000pcs/reel	Tin	SCALE: /	SHEEER: 1 OF 1		

	1	2		3		4		5		6		
ITRM	W	A0	B0	K0	K1	P	F	E	DO	P0	P2	T
DIM	16.00	5.90	5.90	4.80	--	12.00	7.50	1.75	1.50	4.00	2.00	0.30
TOLE	±0.05	±0.15	±0.10	±0.10	±0.10	±0.10	±0.10	±0.10	±0.10	±0.10	±0.15	±0.05

RoHS
Compliant



REVISION RECORD				SCOPE				 SamyTronic							
				X.	±0.20	X.*	±4'					UNIT: mm		CUSTOM CONFIRM:	
DATE	NEW REVISION	REVISION PERSON	REVISION DETAILED	.X	±0.10	.X*	±2'	MATERIAL:	APPD:	Date:	2017/03/23	Description: T0.3*16	A	D	
/	/	/	/	.XX	±0.05	.XX*	±1'	PS/BLACK	DRAWN:	Date:	2017/03/23	/	/	revision	
				Product type:				Resistane:	/ BASED ON PEMSMSO:		/		/	/	
				SMTML-M2/M2.5/M3-(2.2/3.0)				ESD	STANDARD REFER: CUSTOM DRAWING		SCALE: /		1 OF 1		
				Quantity: 1000pcs/reel											

A

A

B

B

C

C

D

D

1

2

3

4

5

6