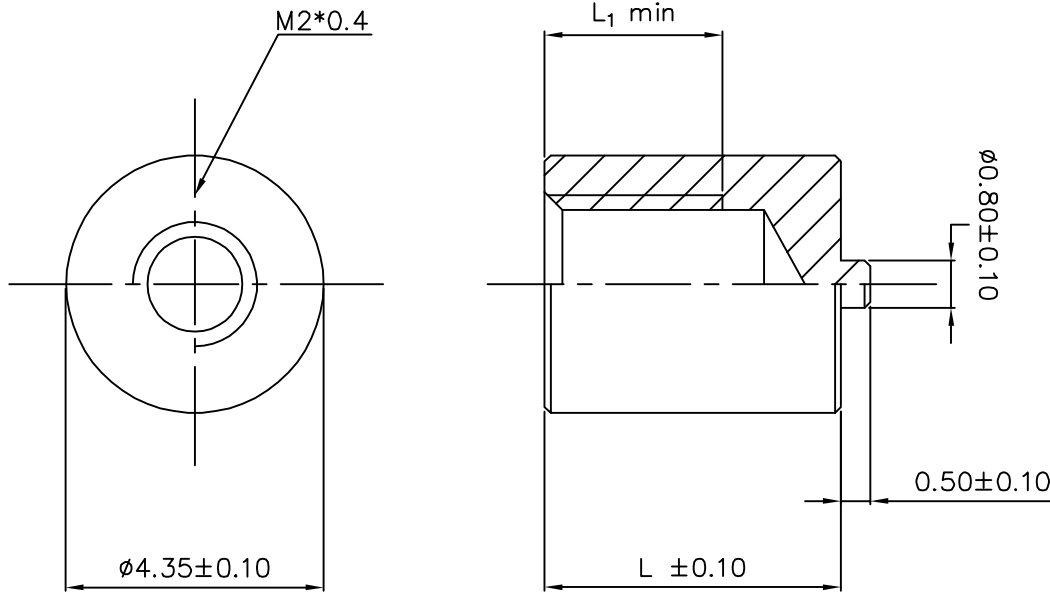


**RoHS**  
Compliant

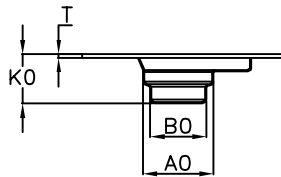
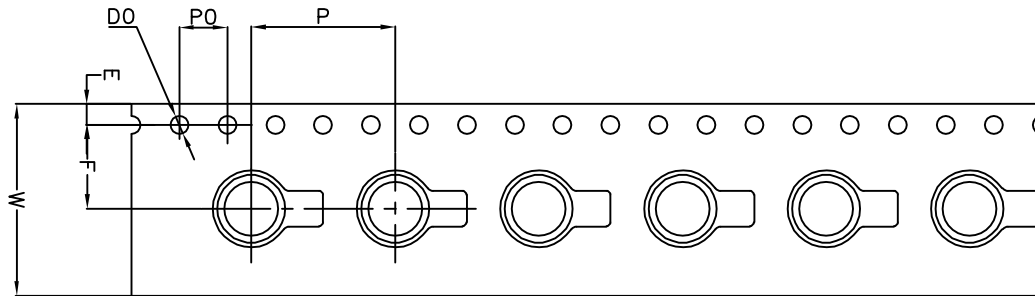


PART NUMBER	L	L <sub>1</sub>
SMTSLM2050MTJ	5.0	3.0
SMTSLM2055MTJ	5.5	3.5
SMTSLM2060MTJ	6.0	4.0
SMTSLM2065MTJ	6.5	4.5
SMTSLM2070MTJ	7.0	5.0
SMTSLM2075MTJ	7.5	5.5
SMTSLM2080MTJ	8.0	6.0
SMTSLM2085MTJ	8.5	6.0
SMTSLM2090MTJ	9.0	6.0
SMTSLM2095MTJ	9.5	6.0
SMTSLM20100MTJ	10.0	6.0

REVISION RECORD				SCOPE									
DATE	NEW REVISION	REVISION PERSON	REVISION DETAILED	X.	±0.20	X'	±4'		Unit: mm	Custom Confirm:	DATE:	PART NUMBER: SMTSLM20xxMTJ	REVISION
/	/	/	/	.X	±0.10	.X'	±2'		Material:	APPD: AW	DATE: 2022/06/24	DESCRIPTION: M2*4.35*xx+0.5	
				.XX	±0.05	.XX'	±1'	Package Type:	Steel	DRAMN: JW	DATE: 2022/06/24	PART NUMBER: /	A
								Reel package	Finish:	BASED ON: WE		DESCRIPTION: /	
								Quantity/reel: pcs	Tin	STANDARD REFER: CUSTOM DWG		SCALE: /	SHEET: 1 OF 2

	1	2		3		4		5		6	
ITRM	W	A0	B0	K0	K1	P	F	E	DO	PO	T
DIM	16.00	4.80	2.00		--	12.00	7.50	1.75	1.50	4.00	0.40
TOLE	±0.05	±0.15	±0.10	±0.10	±0.10	±0.10	±0.10	±0.10	±0.10	±0.10	±0.05

**RoHS**  
Compliant



PART NUMBER	K0	Quantity/ reel
SMTSLM2050MTJ	6.3	900
SMTSLM2055MTJ	6.8	800
SMTSLM2060MTJ	7.3	750
SMTSLM2065MTJ	7.8	700
SMTSLM2070MTJ	8.3	650
SMTSLM2075MTJ	8.8	600
SMTSLM2080MTJ	9.3	600
SMTSLM2085MTJ	9.8	550
SMTSLM2090MTJ	10.3	500
SMTSLM2095MTJ	10.8	500
SMTSLM20100MTJ	11.3	500

REVISION RECORD				SCOPE				<b>SamyTronic</b>					
DATE	NEW REVISION	REVISION PERSON	REVISION DETAILED	X.	±0.20	X.*	±4'		UNIT: mm	CUSTOM CONFIRM:	Date:	Part number: SMTSLM20xxMTJ	revision
/	/	/	/	.XX	±0.05	.XX*	±1'		MATERIAL: PS/BLACK	APPD:	Date: 2022/03/23	Description: T0. 4*16	A
				Product type: SMTSLM20xxMTJ				Resistanse: ESD	/ BASED ON WE		Date: 2022/03/23	/	revision
				Quantity: see the table					STANDARD REFER: CUSTOM DRAWING		SCALE: /	Sh	2 OF 2