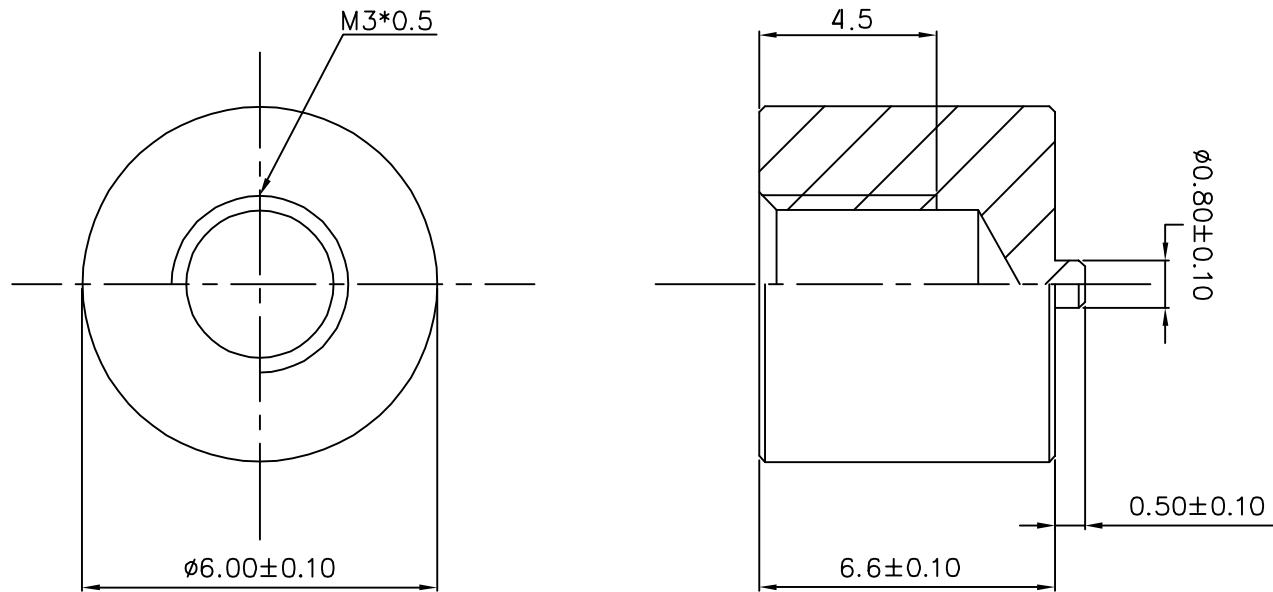

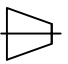


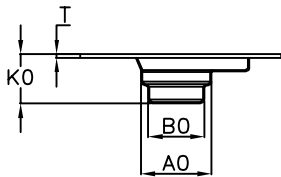
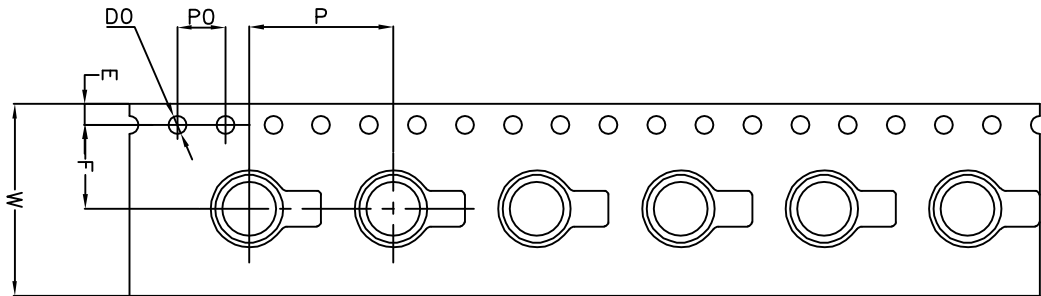
RoHS
Compliant



REVISION RECORD				SCOPE				  SamyTronic				
DATE	NEW REVISION	REVISION PERSON	REVISION DETAILED	X.	±0.20	X.	±4'	Unit: mm	Custom Confirm:	DATE:	PART NUMBER: SMTSLM3066MTJ (CTJ)	REVISION
/	/	/	/	.X	±0.10	.X'	±2'		Material: Steel	APPD:	DATE: 2022/05/16	DESCRIPTION: M3*6*6.6+0.5
				.XX	±0.05	.XX'	±1'	Finish: matte tin	DRAMN:	DATE: 2022/05/16	PART NUMBER: /	REVISION
				Package Type: Reel package					BASED ON: WE	STANDARD REFER: CUSTOM DWG		DESCRIPTION: /
				Quantity/reel: 700pcs					SCALE: /		SHEET: 1 OF 2	

	1	2		3		4		5		6	
ITRM	W	A0	B0	K0	K1	P	F	E	D0	P0	T
DIM	16.00	6.50	3.00	7.80	--	12.00	7.50	1.75	1.50	4.00	0.40
TOLE	±0.05	±0.15	±0.10	±0.10	±0.10	±0.10	±0.10	±0.10	±0.10	±0.10	±0.05

RoHS
 Compliant



REVISION RECORD				SCOPE				 SamyTronic				
				X.	±0.20	X.	±4'					
DATE	NEW REVISION	REVISION PERSON	REVISION DETAILED	.X	±0.10	.X'	±2'	UNIT: mm	CUSTOM CONFIRM:	Date:	Part number: SMTSLM3066MTJ	revision
/	/	/	/	.XX	±0.05	.XX'	±1'	MATERIAL: PS/BLACK	APPD:	Date: 2022/03/23	Description: T0. 4*16	A
				Product type: SMTSLM3066MTJ				Resistanse: ESD	/ BASED ON WE		/	/
				Quantity/reel: 700pcs					STANDARD REFER: CUSTOM DRAWING		SCALE: /	Sheet: 2 OF 2