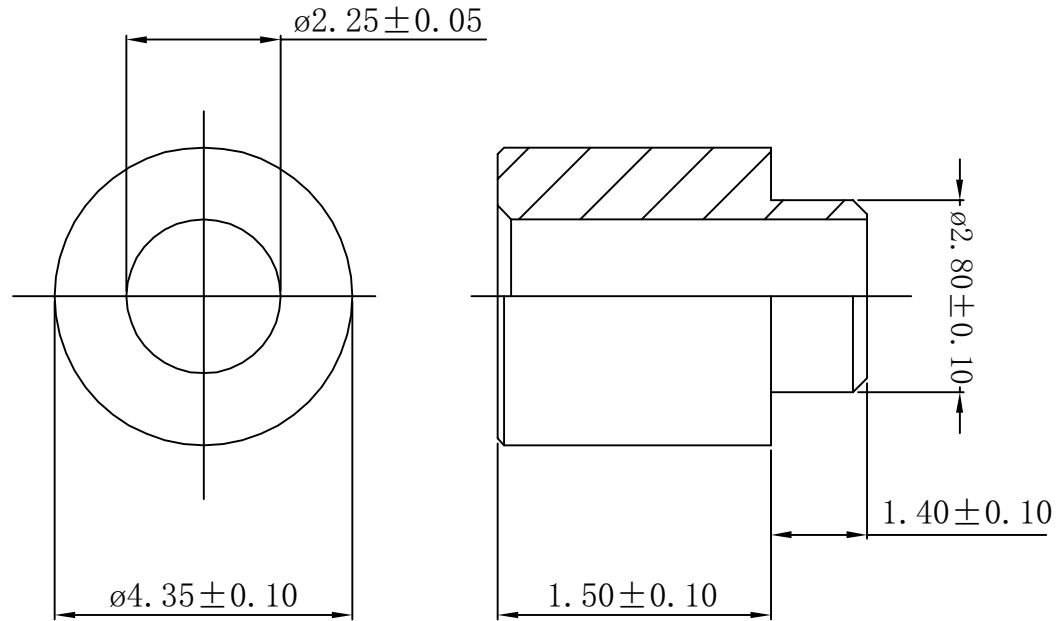
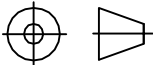


RoHS
Compliant

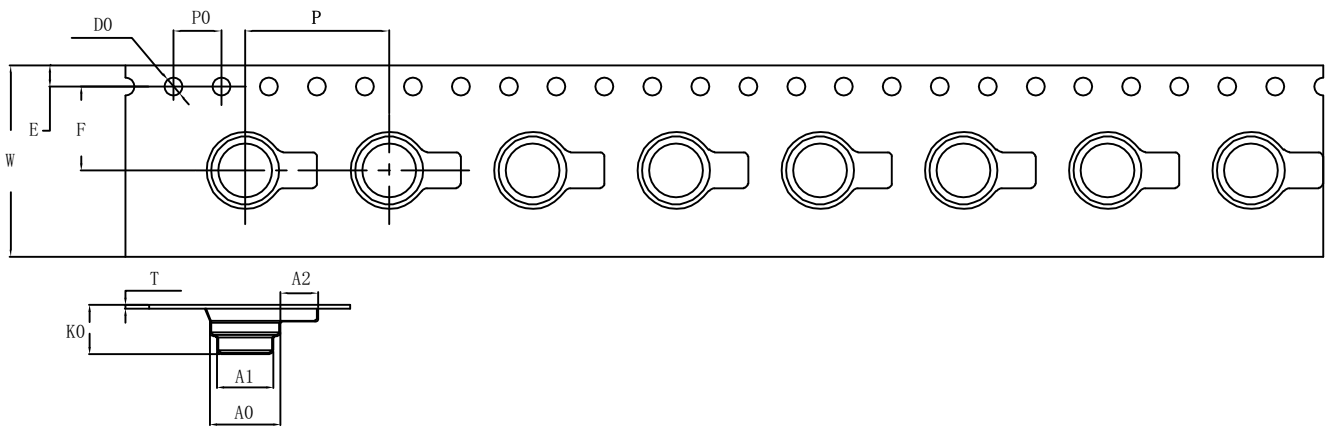


REVISION RECORD

REVISION RECORD				SCOPE				 SamyTronic				
DATE	NEW REVISION	REVISION PERSON	REVISION DETAILED	X.	± 0.20	X.	$\pm 4'$	Unit: mm	Custom Confirm:	DATE:	PART NUMBER: SMTWAM2215MTJ	REVISION
/	/	/	/	.XX	± 0.05	.XX'	$\pm 1'$	Material: Steel 1215 Brass C3604	APPD:	DATE: 2019/07/05	DESCRIPTION: 2.25*4.35*L1.5+1.4	A
				Package Type: Reel package				Finish: Tin	DRAWN:	DATE: 2019/07/05	PART NUMBER: \	REVISION
				Quantity/reel: 1500pcs					BASED ON: WE		DESCRIPTION: /	A
									STANDARD REFER: CUSTOM DWG		SCALE: /	SHEEER: 1 OF 1

	1		2				3				4		5		6	
ITRM	W	A0	A1	A2	K0	P	F	E	D0	P0	P2	T				
DIM	16.00	4.85	3.30	2.40	3.50	12.00	7.50	1.75	1.50	4.00	--	0.30				
TOLE	±0.30	±0.15	±0.15	±0.15	±0.30	±0.20	±0.50	±0.20	±0.10	±0.20	±0.15	±0.05				

RoHS
 Compliant



REVISION RECORD				SCOPE					SamyTronic			
				.	±0.20	.X'	±4'					
DATE	NEW REVISION	REVISION DETAILED	REVISION PERSON	.X	±0.10	.X'	±2'	Unit: mm	Custom Confirm:	Date:	Part number:	Rev.
/	/	/	/	.XX	±0.05	.XX'	±1'	MATERIAL:	Appd:	Date: 2023/04/15	Description: T0. 3*16	A
				Product type:				PS/BLACK	Drawn:	Date: 2023/04/15		Rev.
				SMTWGM2015MTJ / SMTWAM2215MTJ				Resistance:	Based on WE			/
				Quantity: 1500pcs/reel				ESD	STANDARD REFER: CUSTOM DRAWING		SCALE: /	SHEET: 2 OF 2

A

A

B

B

C

C

D

D

1

2

3

4

5

6