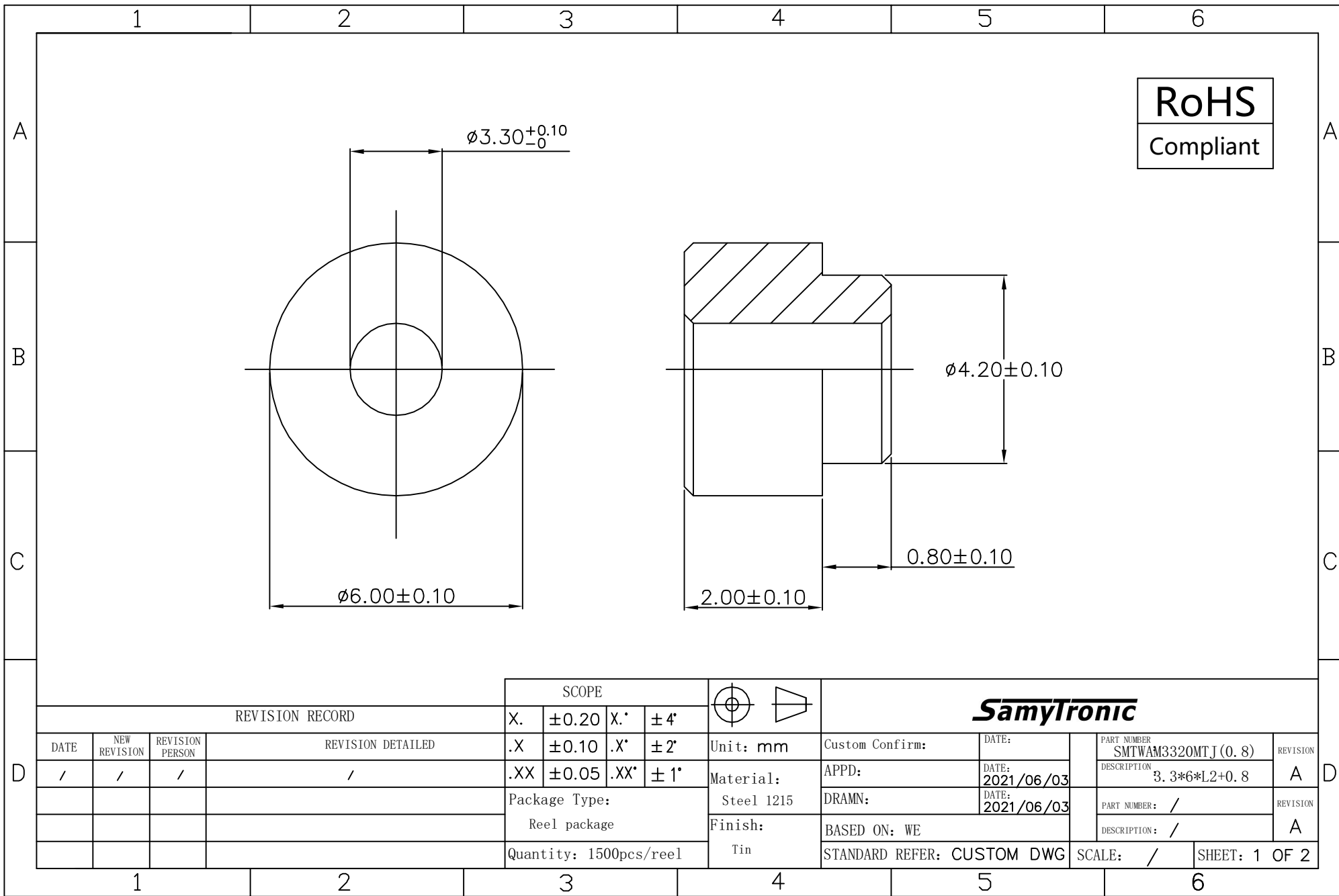


本图由深圳市雄和远景科技发展有限公司发布，版权归深圳市雄和远景科技发展有限公司所有，未经深圳市雄和远景科技发展有限公司同意，不得复制或转载或披露任何内容给任何第三方。

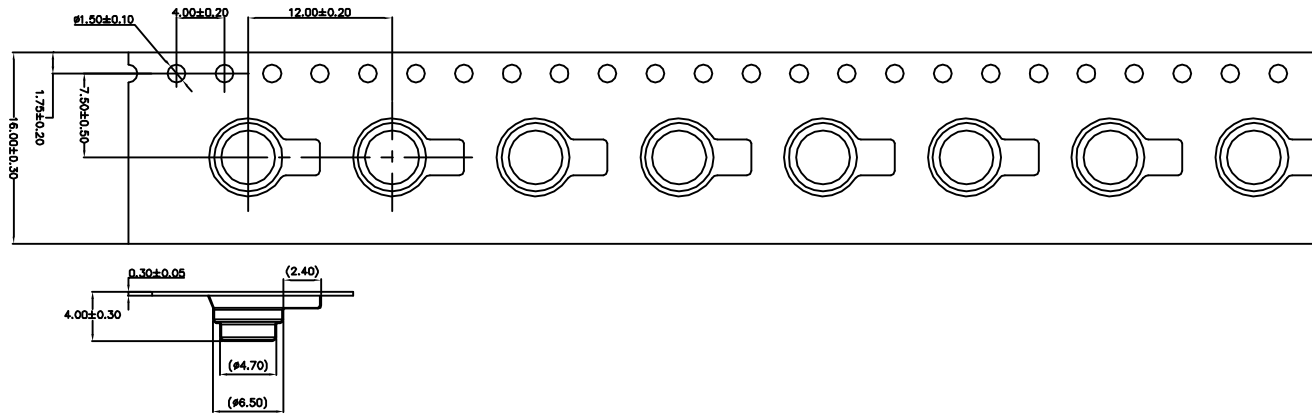


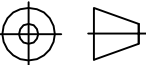
RoHS
 Compliant

REVISION RECORD				SCOPE								
DATE	NEW REVISION	REVISION PERSON	REVISION DETAILED	X.	±0.20	X.	±4'	Unit: mm Material: Steel 1215 Finish: Tin	Custom Confirm:	DATE:	PART NUMBER	REVISION
/	/	/	/	.X	±0.10	.X'	±2'		APPD:	2021/06/03	SMTWAM3320MTJ (0.8)	A
				.XX	±0.05	.XX'	±1'		DRAMN:	2021/06/03	3.3*6*L2+0.8	
				Package Type: Reel package					BASED ON: WE			PART NUMBER: /
				Quantity: 1500pcs/reel				STANDARD REFER: CUSTOM DWG	SCALE: /		DESCRIPTION: /	SHEET: 1 OF 2

SamyTronic

RoHS
Compliant



REVISION RECORD				SCOPE				 SamyTronic				
DATE	NEW REVISION	REVISION PERSON	REVISION DETAILED	X.	±0.20	X.	±4'	UNIT: mm	CUSTOM CONFIRM:	Date:	Part number: XH125	Revision
/	/	/	/	.X	±0.10	.X'	±2'	MATERIAL: PS/BLACK	APPD:	Date: 2021/06/04	Description: T0.3*16	A
				.XX	±0.05	.XX'	±1'	Resistance: ESD	DRAWN:	Date: 2021/06/04	/	Revision
				Product type: SMTWGM-M3/SMTWAM3.3 (2)				/	/ BASED ON WE		/	
				Quantity: 1500pcs/reel				STANDARD REFER: CUSTOM DRAWING	/	2 OF 2		