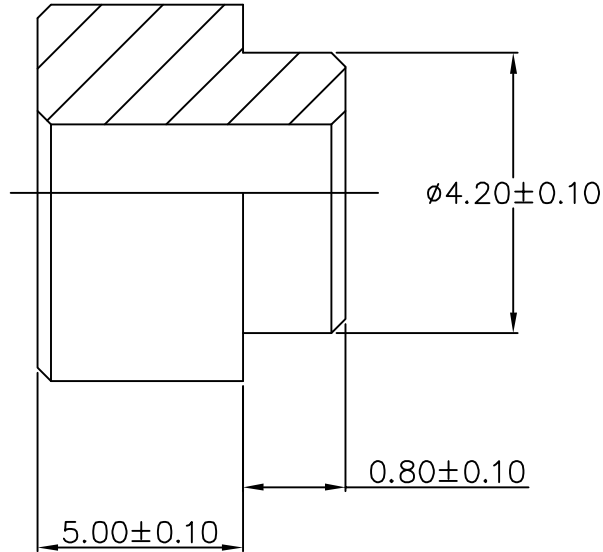
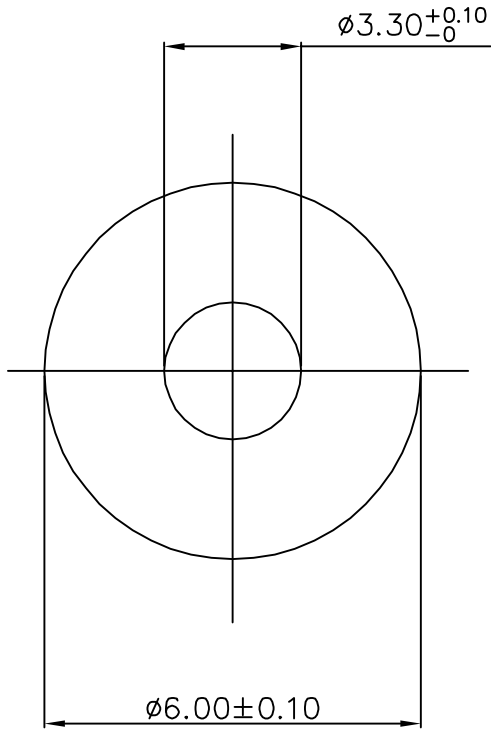

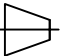
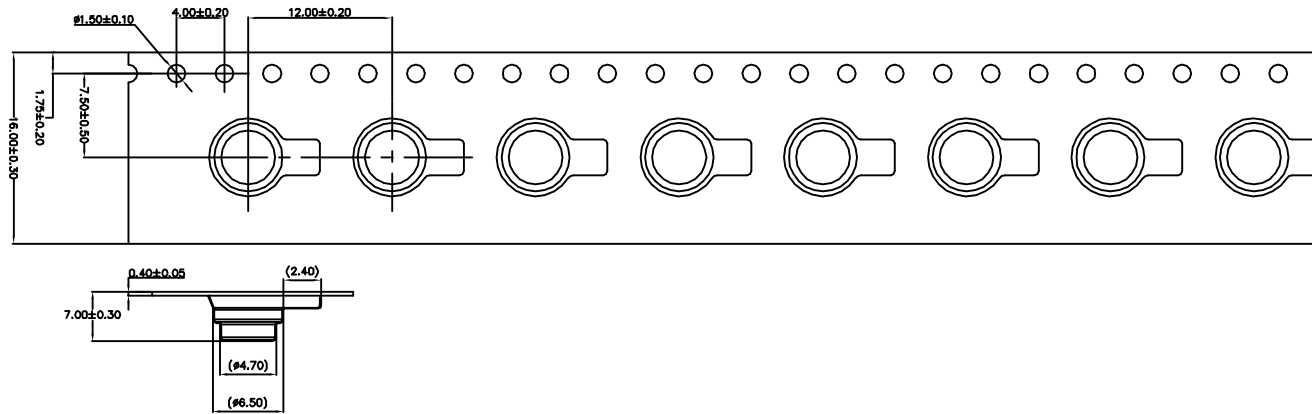




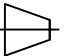
RoHS
Compliant



REVISION RECORD				SCOPE				  SamyTronic				
DATE	NEW REVISION	REVISION PERSON	REVISION DETAILED	X.	± 0.20	X.	$\pm 4'$	Unit: mm	Custom Confirm:	DATE:	PART NUMBER:	REVISION
/	/	/	/	.X	± 0.10	.X'	$\pm 2'$	Material:	APPD:	DATE: 2021/06/03	SMTWAM3350MTJ (0.8)	A
				.XX	± 0.05	.XX'	$\pm 1'$	Steel 1215	DRAWN:	DATE: 2021/06/03	DESCRIPTION: 3.3*6*L5+0.8	REVISION
				Package Type:				Finish:	BASED ON: WE		PART NUMBER: /	A
				Reel package				Tin	STANDARD REFER: CUSTOM DWG		DESCRIPTION: /	
				Quantity: 800pcs/reel					SCALE: /		SHEET: 1 OF 2	

RoHS
Compliant



REVISION RECORD				SCOPE									
DATE	NEW REVISION	REVISION PERSON	REVISION DETAILED	X.	± 0.20	X.	$\pm 4'$	 	UNIT: mm	CUSTOM CONFIRM:	Date:	Part number: XH193N	Revision
/	/	/	/	.X	± 0.10	.X'	$\pm 2'$		MATERIAL: PS/BLACK	APPD:	Date: 2020/06/04	Description: T0. 4#16	A
				.XX	± 0.05	.XX'	$\pm 1'$	Resistance: ESD	DRAWN:	Date: 2020/06/04	/	Revision	
				Product type: SMTWGM-M3/SMTWAM-3.3 (5)					/	/	/	/	
				Quantity: 800pcs/reel					STANDARD REFER: CUSTOM DRAWING			2 OF 2	