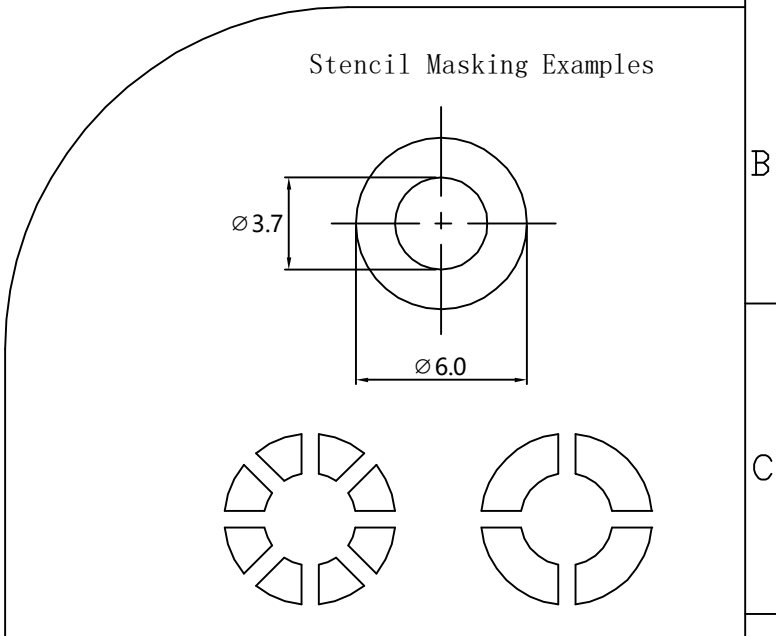
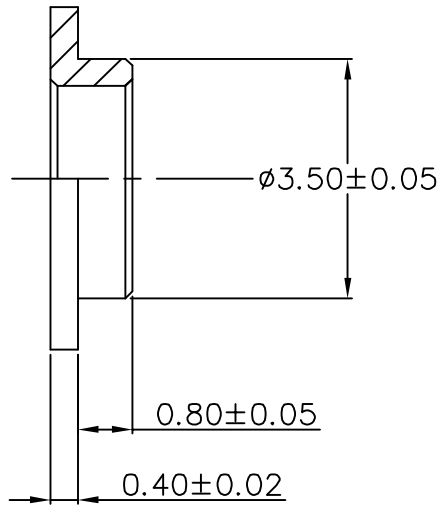
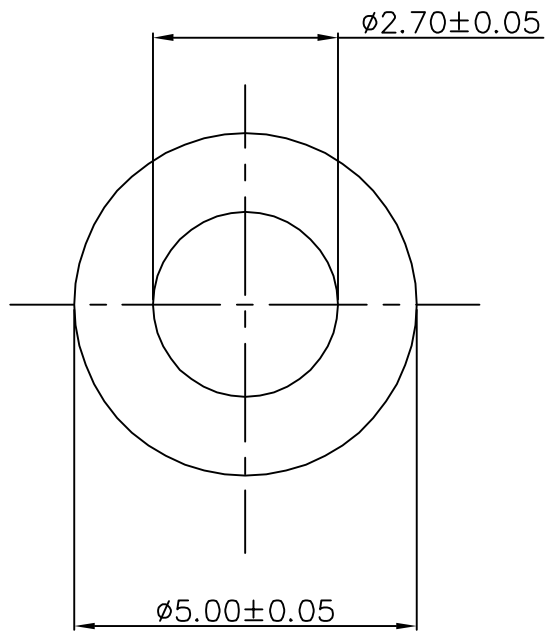

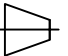


RoHS
Compliant

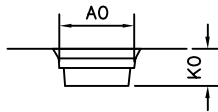
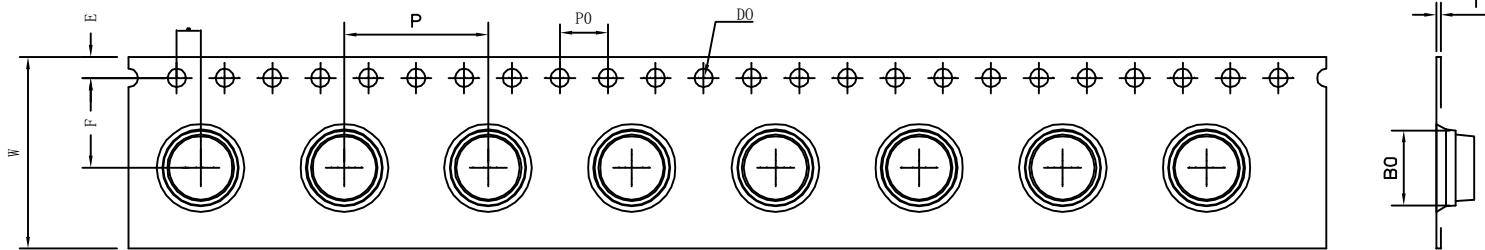



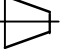
REVISION RECORD				SCOPE				 				
DATE	NEW REVISION	REVISION PERSON	REVISION DETAILED	X.	± 0.20	X.*	$\pm 4'$	Unit: mm	Custom Confirm:	DATE:	PART NUMBER	REVISION
/	/	/	/	.X	± 0.10	.X*	$\pm 2'$	Material:	APPD:	DATE: 2020/09/30	SMTWAM2704CTJ(08)	A
				.XX	± 0.05	.XX*	$\pm 1'$	Brass	DRAMN:	DATE: 2020/09/30	DESCRIPTION	REVISION
				Package Type:				Finish:	BASED ON: WE		PART NUMBER: /	A
				Reel package				Tin	STANDARD REFER: CUSTOM DWG		DESCRIPTION: /	
				Quantity: 5000pcs/reel					SCALE: /		SHEET 1 OF 2	

Samyltronic

	1	2		3		4		5		6		
ITRM	W	A0	B0	K0	K1	P	F	E	DO	P0	P2	T
DIM	12.00	5.00	3.70	1.70	--	8.00	5.50	1.75	1.50	4.00	2.00	0.30
TOLE	±0.05	±0.15	±0.10	±0.10	±0.10	±0.10	±0.10	±0.10	±0.10	±0.10	±0.15	±0.05

RoHS
Compliant



REVISION RECORD				SCOPE				  SamyTronic				
DATE	NEW REVISION	REVISION PERSON	REVISION DETAILED	X.	±0.20	X.*	±4'					UNIT: mm
/	/	/	/	.XX	±0.05	.XX*	±1'	MATERIAL:	APPD:	Date:	Description: T0. 3*12	A
				Product type:				PS/BLACK	DRAWN:	Date:	/	revision
				SMTWAM2704-08CTJ				Resistanse:	/ BASED ON WE		/	/
				Quantity: 5000pcs/reel				ESD	STANDARD REFER: CUSTOM DRAWING		SCALE: /	SHEET 2 OF 2

1

2

3

4

5

6