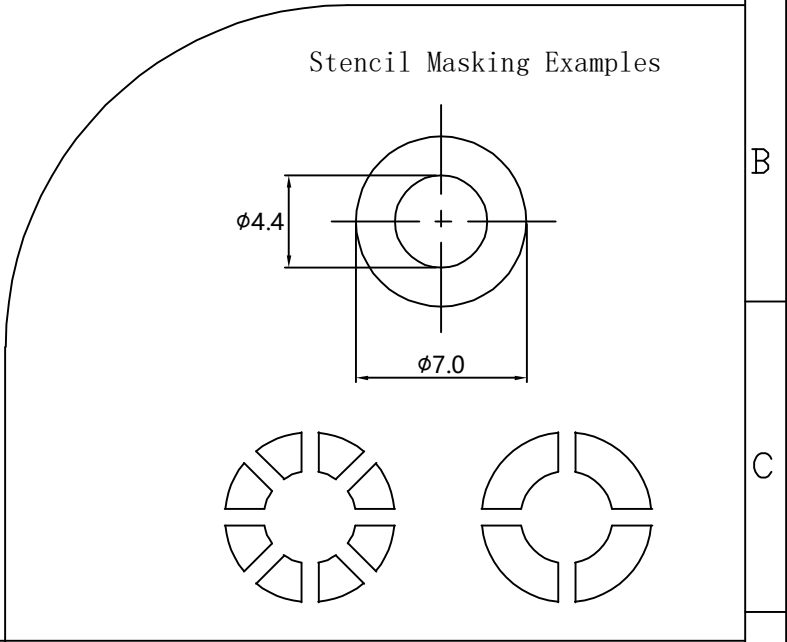
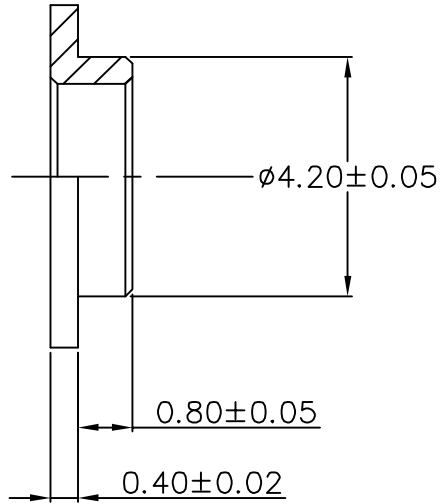
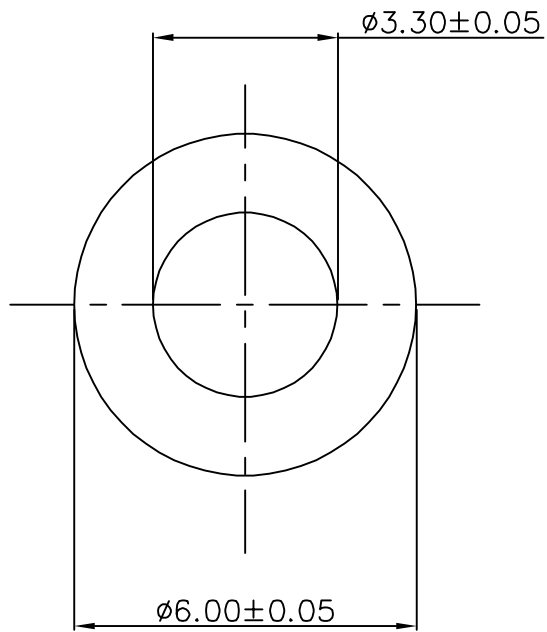

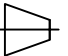


RoHS
Compliant

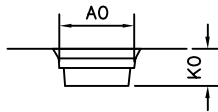
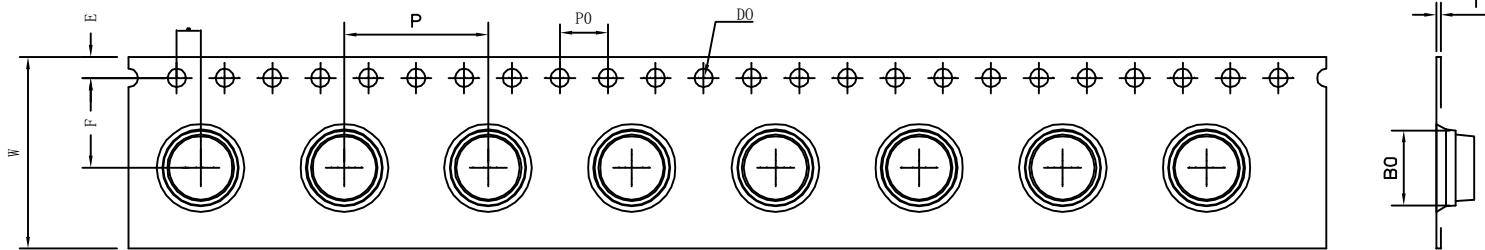


| REVISION RECORD | | | | SCOPE | | | |   | | | | | | |
|-----------------|--------------|-----------------|-------------------|-------|------------|------|----------|---|-----------------|------------------|---------------|-------------------------------|----------|---------------|
| DATE | NEW REVISION | REVISION PERSON | REVISION DETAILED | X. | ± 0.20 | X. | $\pm 4'$ | Unit: mm | Custom Confirm: | DATE: | SINHOO CUSTOM | PART NUMBER: SMTWAM3304-08CTJ | REVISION | |
| / | / | / | / | .XX | ± 0.10 | .X' | $\pm 2'$ | Material: | APPD: | DATE: 2022/08/23 | | DESCRIPTION: 3.3*6*0.4+0.8 | A | |
| | | | | | ± 0.05 | .XX' | $\pm 1'$ | Package Type: | BRASS | DATE: 2022/08/23 | | PART NUMBER: SMTWAM3304-08CTJ | REVISION | |
| | | | | | | | | Reel | Finish: | | | DESCRIPTION: / | A | |
| | | | | | | | | Quantity: 3500pcs/R | matte tin | | | STANDARD REFER: CUSTOM DWG | SCALE: / | SHEET: 1 OF 2 |

Samyltronic

| | | | | | | | | | | | | |
|------|-------|-------|-------|-------|-------|-------|-------|-------|-------|-------|-------|-------|
| | 1 | 2 | | 3 | | 4 | | 5 | | 6 | | |
| ITRM | W | A0 | B0 | K0 | K1 | P | F | E | DO | P0 | P2 | T |
| DIM | 16.00 | 6.50 | 4.70 | 1.70 | -- | 12.00 | 7.50 | 1.75 | 1.50 | 4.00 | -- | 0.30 |
| TOLE | ±0.05 | ±0.15 | ±0.10 | ±0.10 | ±0.10 | ±0.10 | ±0.10 | ±0.10 | ±0.10 | ±0.10 | ±0.15 | ±0.05 |

RoHS
Compliant



| | | | | | | | | | | | | | |
|-----------------|--------------|-----------------|-------------------|-------|-------|-------|------|-------------|--------------------------------|-------|--------------|--------------|--|
| REVISION RECORD | | | | SCOPE | | | | | | | | | |
| DATE | NEW REVISION | REVISION PERSON | REVISION DETAILED | X. | ±0.20 | X. | ±4' | | | | | | |
| / | / | / | / | .XX | ±0.10 | .X' | ±2' | UNIT: mm | CUSTOM CONFIRM: | Date: | Part number: | revision | |
| | | | | | .XX | ±0.05 | .XX' | MATERIAL: | APPD: | Date: | Description: | A | |
| | | | | | | | | PS/BLACK | DRAWN: | Date: | / | revision | |
| | | | | | | | | Resistanse: | / BASED ON WE | | / | / | |
| | | | | | | | | ESD | STANDARD REFER: CUSTOM DRAWING | | SCALE: / | SHEET 2 OF 2 | |

1

2

3

4

5

6